

AVB48DT L/R



Above with righ hand threshold.

Specifications

Venco acrylic bathware is manufactured from .125 gauge solid acrylic sheet, reinforced with heavy-duty fibreglass to provide a sanitary, unbroken, smooth surface. Reinforcing and contouring gives added strength. Venco bathware is warranted against factory defects for five years.

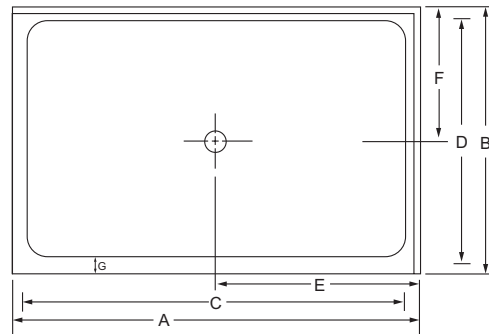
All product measurements are to the outside of flange. Measurements plus (+) or minus (-) 1/4".

All Venco Products are Canadian Standards Association certified.

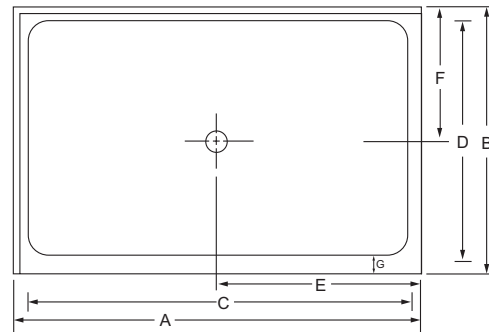
VENCO

MODEL	A	B	C	D	E	F	G
AVB48DT L/R	47 1195mm	35 ¹ / ₄ 896	42 ¹ / ₂ 1080	31 788	22 ¹ / ₂ 572	16 ³ / ₄ 426	3 75

TOP VIEW
L/H Model



TOP VIEW
R/H Model



VENCO

7584 Vantage Place, Delta, BC V4G 1A5
 Phone: 604-940-4960 Fax: 604-940-9733
 Email: venco@telus.net
www.venco.ca