

HARMONY I - 6032



Above with 4" deck height.
Choose from (2" or 4") deck height.

Specifications

Venco acrylic bathware is manufactured from .125 gauge solid acrylic sheet, reinforced with heavy-duty fibreglass to provide a sanitary, unbroken, smooth surface. Reinforcing and contouring gives added strength. Venco bathware is warranted against factory defects for five years.

All product measurements are to the outside of flange. Measurements plus (+) or minus (-) 1/4".

All Venco Products are Canadian Standards Association certified.

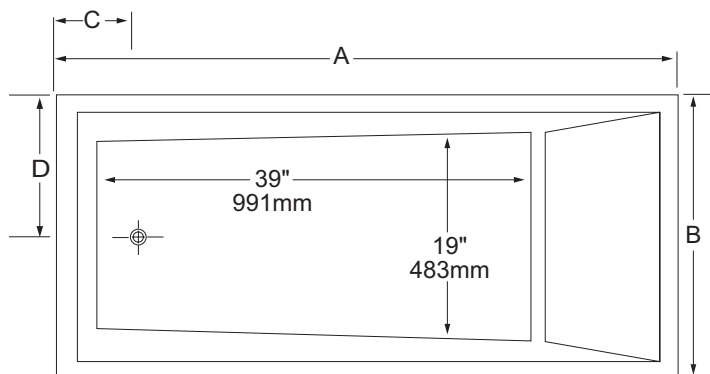


7584 Vantage Place, Delta, BC V4G 1A5
Phone: 604-940-4960 Fax: 604-940-9733
Email: venco@telus.net
www.venco.ca



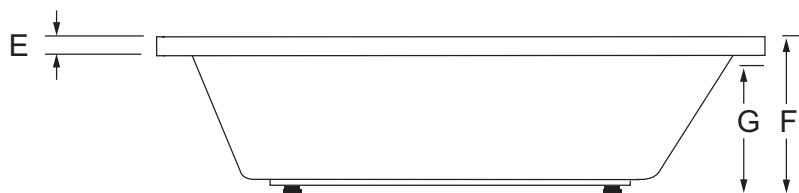
MODEL	A	B	C	D	E	F	G
HARMONY I - 6032	59 1/4 1506mm	31 3/4 807	8 203	15 1/2 394	2 50	21 534	19 483

TOP VIEW



* Interior dimensions are of bathing area.

SIDE VIEW



Water capacity (Imperial Gallons)

MODEL	MIN	MAX
HARMONY I - 6032	36	56