

AV6032SK L/R
 AV6034SK L/R
 AV6632SK L/R
 AV6634SK L/R
 AV6636SK L/R
 AV7232SK L/R
 AV7236SK L/R

VENCO

| MODEL | A | B | C | D | E | F | G |
|--------------|----------------|-----------|-----------|------------|---------|------------|------------|
| AV6032SK L/R | 59¾ 1518 mm | 32 813 | 9 230 | 14¾ 375 | 2 50 | 20½ 520 | 17½ 445 |
| AV6034SK L/R | 59¾ 1518 mm | 34 865 | 9 230 | 16 407 | 2 50 | 20½ 520 | 17½ 445 |
| AV6632SK L/R | 65½ 1664 mm | 32 813 | 9 230 | 15 381 | 2 50 | 20½ 520 | 17½ 445 |
| AV6634SK L/R | 65¾ 1671 mm | 34 865 | 9 230 | 15½ 394 | 2 50 | 20½ 520 | 17½ 445 |
| AV6636SK L/R | 65¾ 1671 mm | 36 915 | 9¾ 248 | 17¼ 438 | 2 50 | 20½ 520 | 17½ 445 |
| AV7232SK L/R | 71¾ 1823 mm | 32 813 | 9 230 | 14¾ 375 | 2 50 | 20½ 520 | 17½ 445 |
| AV7236SK L/R | 71¾ 1823 mm | 36 915 | 9 230 | 17½ 445 | 2 50 | 20½ 520 | 17½ 445 |

Specifications

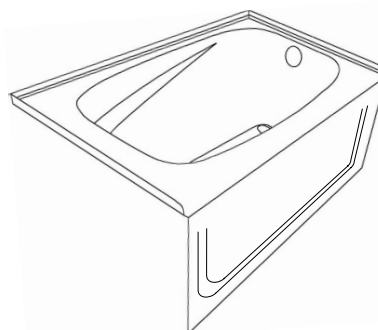
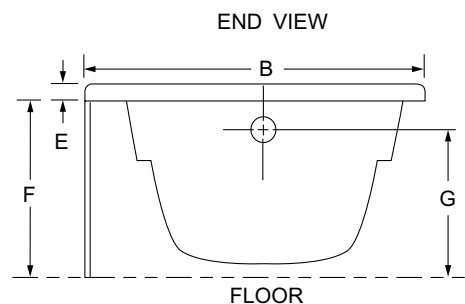
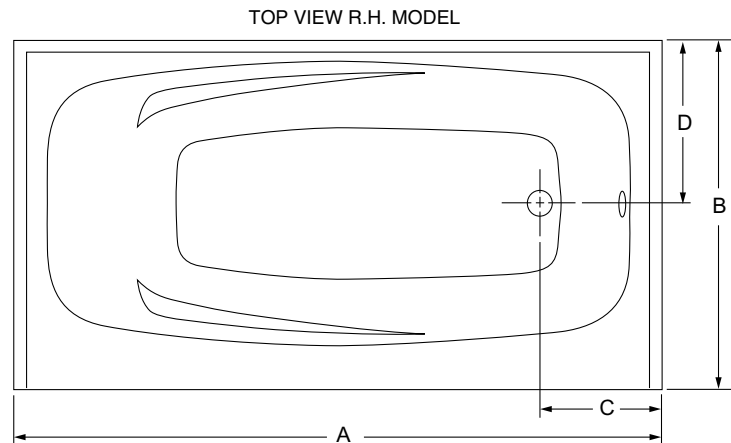
Venco acrylic bathware is manufactured from .125 gauge solid acrylic sheet, reinforced with heavy-duty fiberglass to provide a sanitary, unbroken, smooth surface. Reinforcing and contouring gives added strength. Venco bathware is warranted against factory defects for five years.

All product measurements are to the outside of flange. Measurements plus (+) or minus (-) 1/4".

All Venco Products are Canadian Standards Association certified.

VENCO

7584 Vantage Place, Delta, BC V4G 1A5
 Phone (604) 940-4960 • Fax (604) 940-9733
 email: venco@telus.net
 www.venco.ca



Water Capacity (Imperial Gallons)

| MODEL | Minimum | Maximum |
|--------------|---------|---------|
| AV6032SK L/R | 25 | 40 |
| AV6034SK L/R | 28 | 45 |
| AV6632SK L/R | 30 | 48 |
| AV6634SK L/R | 30 | 48 |
| AV6636SK L/R | 33 | 52 |
| AV7232SK L/R | 35 | 55 |
| AV7236SK L/R | 38 | 60 |