

FL Naturelle 32 L/R



MODEL	A	B	C	D	E	F	G
FL Naturelle 32 L/R	59 ³ / ₄ 1518mm	31 ³ / ₄ 806	10 254	15 ³ / ₄ 400	5 127	16 ⁷ / ₈ 429	17 432

Specifications

Venco acrylic bathware is manufactured from .125 gauge solid acrylic sheet, reinforced with heavy-duty fibreglass to provide a sanitary, unbroken, smooth surface. Reinforcing and contouring gives added strength. Venco bathware is warranted against factory defects for five years.

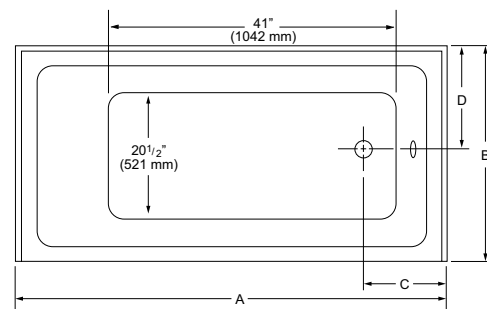
All product measurements are to the outside of flange. Measurements plus (+) or minus (-) 1/4".

All Venco Products are Canadian Standards Association certified.

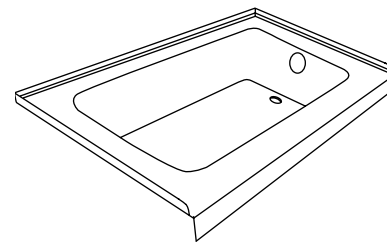
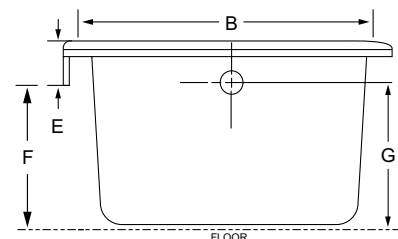


7584 Vantage Place, Delta, BC V4G 1A5
Phone: 604-940-4960 Fax: 604-940-9733
Email: venco@telus.net
www.venco.ca

TOP VIEW



END VIEW



Water capacity (Imperial Gallons)

MODEL	MIN	MAX
FL Naturelle 32 L/R	28	48