

FL Naturelle 34 L/R



| MODEL | A | B | C | D | E | F | G |
|---------------------|--|---------------------------------------|-----------|---------------------------------------|----------|---------------------------------------|-----------|
| FL Naturelle 34 L/R | 59 ³ / ₄ 1518mm | 33 ³ / ₄ 858 | 10 254 | 16 ⁵ / ₈ 422 | 5 127 | 16 ⁷ / ₈ 429 | 17 432 |

Specifications

Venco acrylic bathware is manufactured from .125 gauge solid acrylic sheet, reinforced with heavy-duty fibreglass to provide a sanitary, unbroken, smooth surface. Reinforcing and contouring gives added strength. Venco bathware is warranted against factory defects for five years.

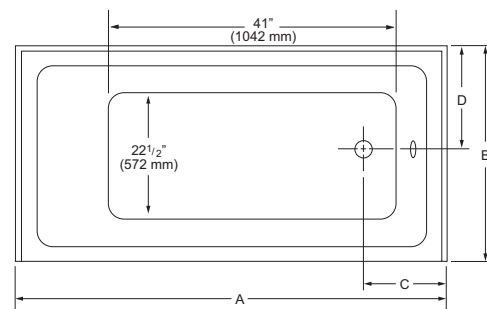
All product measurements are to the outside of flange. Measurements plus (+) or minus (-) 1/4".

All Venco Products are Canadian Standards Association certified.

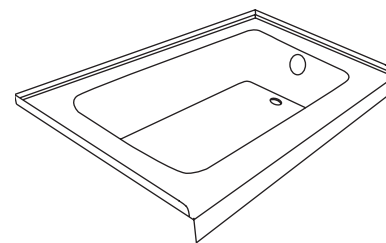
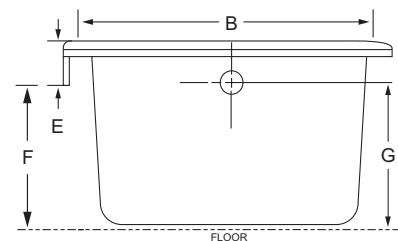


7584 Vantage Place, Delta, BC V4G 1A5
Phone: 604-940-4960 Fax: 604-940-9733
Email: venco@telus.net
www.venco.ca

TOP VIEW



END VIEW



Water capacity (Imperial Gallons)

| MODEL | MIN | MAX |
|---------------------|-----|-----|
| FL Naturelle 34 L/R | 28 | 60 |