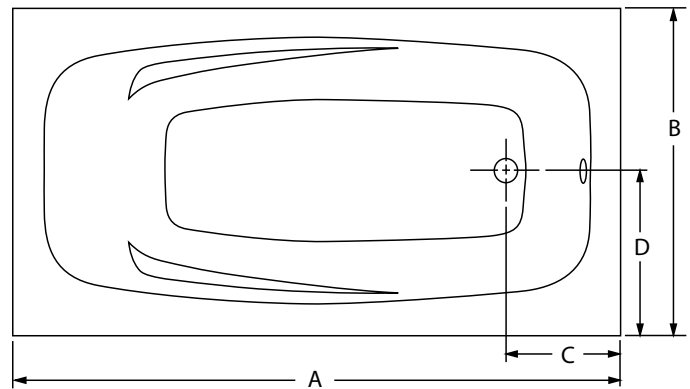


AV6032  
 AV6036  
 AV6636  
 AV7236

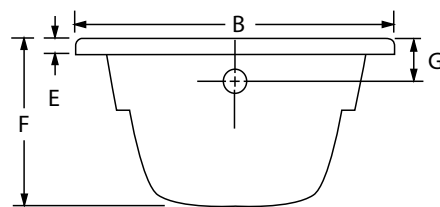


MODEL	A	B	C	D	E	F	G
AV6032	60 1525 mm	32 813	9 230	16 408	2 50	18 457	3 75
AV6036	60 1525 mm	36 915	9 230	18 457	2 50	20 510	3 75
AV6636	66 1677 mm	36 915	9 230	18 457	2 50	20 510	3 75
AV7236	72 1830 mm	36 915	9 230	18 457	2 50	20 510	3 75

TOP VIEW



END VIEW



## Specifications

Venco acrylic bathware is manufactured from .125 gauge solid acrylic sheet, reinforced with heavy-duty fiberglass to provide a sanitary, unbroken, smooth surface. Reinforcing and contouring gives added strength. Venco bathware is warranted against factory defects for five years.

*All product measurements are to the outside of flange. Measurements plus (+) or minus (-) 1/4".*

*All Venco Products are Canadian Standards Association certified*



7584 Vantage Place, Delta, BC V4G 1A5  
 Phone (604) 940-4960 • Fax (604) 940-9733  
 email: venco@telus.net  
 www.venco.ca

Water Capacity (Imperial Gallons)

MODEL	Minimum	Maximum
AV6032	20	38
AV6036	25	45
AV6636	30	52
AV7236	33	60