

VENCO®

VFS-8015-150 | DELPHI

60" x 32" x 24" | Immersion Depth: 15.5" | Water Capacity 64 GAL



PRODUCT SPECIFICATIONS

- 100% Acrylic with fiberglass & steel reinforcement
- Leveling feet included
- Drain hole: 2"
- Centre Drain
- 10 Year limited manufacturer's warranty included

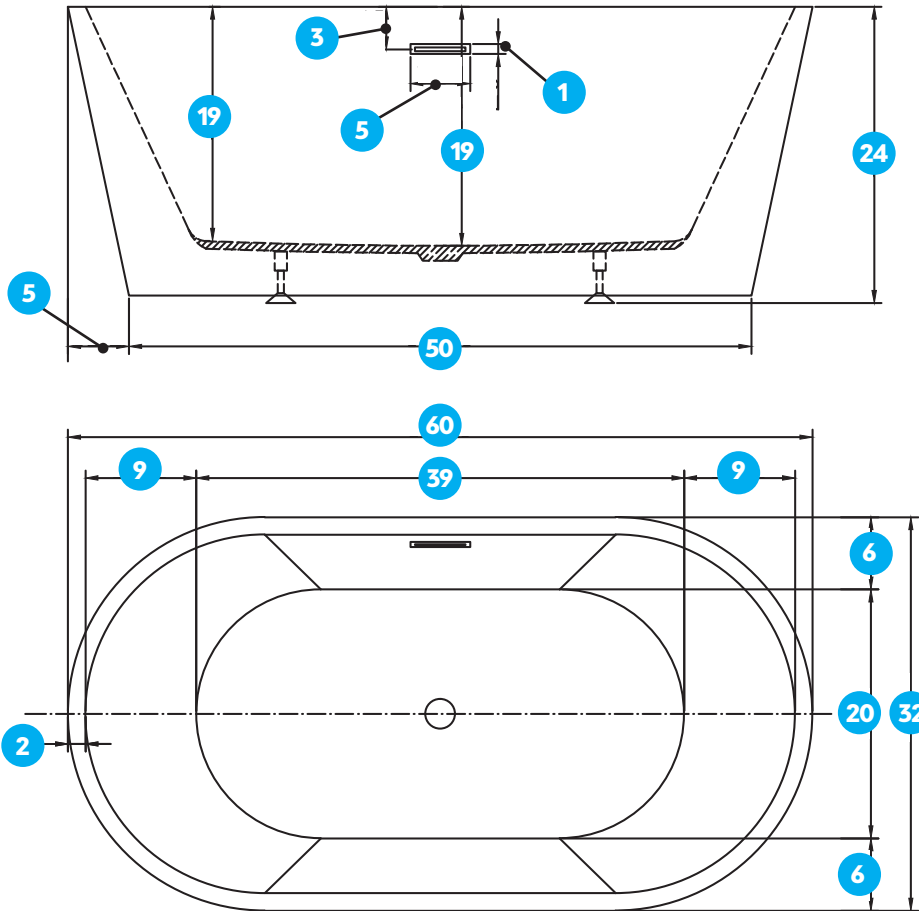
DESIGN FEATURES

- Seamless 1 Piece Acrylic Soaker Tub
- Deep Bathing Well

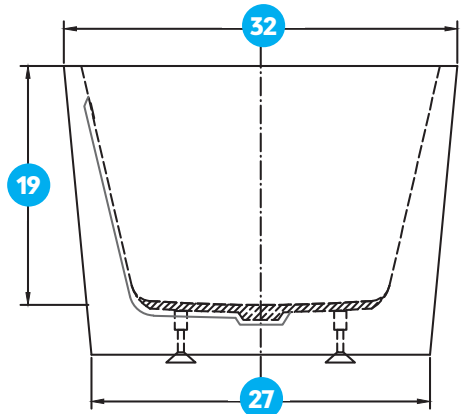
AVAILABLE UPGRADES

- Drop In Drain (EZ to Install)
- Matte White

[VENCO.CA](https://www.venco.ca)



all measurements are in inches



Venco Products Ltd. (Delta)

7584 Vantage Place, Delta, BC V4G 1A5
Tel: (604) 940-4960 | Fax: (604) 940-9733 | sales@venco.ca

Venco Products Ltd. (Nanaimo)

Box 194, Cedar Postal Station
1960 Cedar Road, Nanaimo, BC V9X 1W1
Tel: (250) 722-2522 | Fax: (250) 722-2404 | islandsales@venco.ca

IMPORTANT

*While we strive to provide accurate measurements for our customers, sometimes mistakes happen. Our goal is to help things run smoothly from shipment to installation, so if you notice any errors in our spec sheets, please let us know.

Our products are handmade & hand finished so you can expect a tolerance of $\pm 1/4"$ on all measurements. We strongly recommend waiting until your ordered product is on-site before attempting any rough-in carpentry or plumbing.

If you want to verify any of our measurements, please feel free to call or email us.

*Drawings are not to scale

Keeping with our policy of continuing product improvement, Venco Products Ltd. reserves the right to change product specifications without notice.