

3636BFS 1.75

(39" X 40")

One Piece Transfer Shower Stall

Installation Specifications

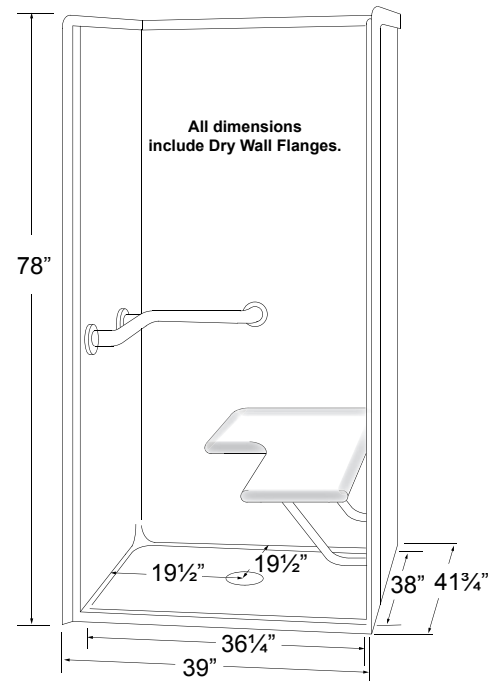
ADA COMPLIANT

Code Compliance is based on our interpretation of applicable codes. We cannot assume responsibility for code compliance on your specific project. Please check specifications and other information with the appropriate authorities before ordering.



Standard Accessories Installed

- 1 - 1 1/4" Stainless Steel "L" Grab Bar
- 1 - White Padded Fold-up Seat.



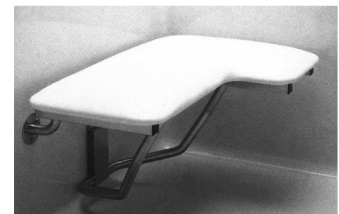
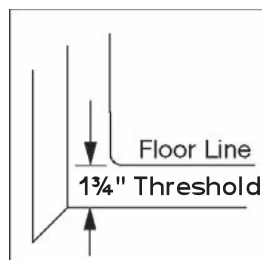
Specifications

The shower unit shall be a gel-coated, heavy-duty fiberglass reinforced unit to provide a sanitary, unbroken, smooth surface.

Reinforcing and contouring gives added strength. The units shall have one inch nailing flanges on front and top edges and warranted against factory defects for three years.

All product measurements are to the outside of nailing flange. Measurements plus (+) or minus (-) 1/4".

All Venco Products are Canadian Standards Association certified.



Shower unit shall be a Venco Model No. 3636BFS. Finished surface shall be of a Premium sanitary-grade polyester Gelcoat with a minimal thickness of 15 dry mills and a finished cured Barcol hardness of 80-90. The unit shall have dimensions of 39" wide x 78" high x 41 3/4" deep O.D. Sides and back of unit shall be constructed of molded reinforced fiberglass with 15% minimum fiberglass content plus an inner core of 7/16" Wafer board and is laminated with another layer of reinforced fiberglass for superior overall rigidity. The approximate weight of the unit shall be 205 lbs. The base of the unit shall be attached to form an integral part with an inner and outer coating of reinforced fiberglass and polyester resin.

Optional Accessories

- 1 - 1 1/4" Stainless Steel "U" Grab Bar.
- 1 - Curtain Rod: Stainless Steel, 18 ga. 1" O.D., with mounting flanges.
- 1 - Shower Curtain: Vinyl, 10 ga. flame resistant, white, chain-weighted.
- 1 - Pressure Balance Mixing Valve, lever handle, polished chrome finish.
- 1 - Hand Shower, Push Button on/off, Hand Held Shower with 84" hose, Vacuum breaker.

VENCO

7584 Vantage Place, Delta, BC V4G 1A5
Phone (604) 940-4960 • Fax (604) 940-9733
email: venco@telus.net
www.venco.ca

ADA Accessibility Guidelines ADAAG - Sections 1-4 4.21.7 Curbs. If provided, curbs in shower stalls 36in by 36in (915 mm by 915 mm) shall be no higher than 1/2" (13 mm). Shower stalls that are 30 in by 60 in (760 mm by 915 mm) minimum, shall not have curbs.

3636BFS

(39" X 40")
One Piece Transfer
Shower Stall

Architects Specification

ADA COMPLIANT

Code Compliance is based on our interpretation of applicable codes. We cannot assume responsibility for code compliance on your specific project. Please check specifications and other information with the appropriate authorities before ordering.

Specifications

The shower unit shall be a gel-coated, heavy-duty fiberglass reinforced unit to provide a sanitary, unbroken, smooth surface.

Reinforcing and contouring gives added strength. The units shall have one inch nailing flanges on front and top edges and warranted against factory defects for three years.

All product measurements are to the outside of nailing flange. Measurements plus (+) or minus (-) 1/4".

All Venco Products are Canadian Standards Association certified.

VENCO

7584 Vantage Place, Delta, BC V4G 1A5
Phone (604) 940-4960 • Fax (604) 940-9733
email: venco@telus.net
www.venco.ca

VENCO

Shower unit shall be a VENCO Model No. 3636BFS. Finished surface shall be of a Premium sanitary-grade polyester Gelcoat with a minimal thickness of 15 dry mills and a finished cured Barcol hardness of 80-90. The unit shall have dimensions of 39" x 41 3/4" x 78" O.D.

Sides and back of unit shall be constructed of molded reinforced fiberglass with 15% minimum fiberglass content plus an inner core of 3/8" Wafer board and is laminated with another layer of reinforced fiberglass for superior overall rigidity. The approximate weight of the unit shall be 205 lbs.

Stainless Steel Grab Bar.

The unit shall have one (1) stainless steel "L" shaped wrap-around grab bar mounted horizontally on the Valve side and extending to the back wall. Stainless Steel "L" shaped grab bar will be 1 1/4" O.D. 18 gauge type #304 stainless steel, mounted with stainless steel nuts bolts and washers. Fastened from the back side of the unit and sealed and caulked to meet ASTM F-466 specifications. All Stainless Steel Grab Bars meet Federal Specification WW-P541/8b, Amendment 1, 16 April 1990; ANSI 117.1 and All A.D.A. CODE REQUIREMENTS. These bars, when properly installed, meet the 900 lb. downward pull requirement for Federal Specification work, F.H.A., V.A., HOSPITAL CODES AND PRIVATE CONSTRUCTION.

Fold-up Seat

This unit shall include a removable White Padded Seat that meet Fed. Spec. WW-P-541/8b, Amendment 1, April, 1990 and ANSI 117.1. When properly installed this seat is designed and manufactured to exceed all applicable federal load specifications and comply with all A.D.A. Requirements. The Seat frame is Type 304 (18-8) stainless steel tubing, 1 1/4" x 18 ga. square main frame with 1" x 18 ga. round cross members. The Wall Flanges are two (2) type 304 (18-8) stainless steel flanges, 10 ga. x 3" diameter, heliarc welded to 1" round x 18 ga. 90 degree leg supports and to 1 1/4" round x 12 ga. frame hinge couplings. Three mounting holes in each flange. The Support Leg in a "U" shaped yoke of type 304 (18-8) stainless steel tubing, 1" round x 18 ga. heliarc welded to 1 1/4" round x 12 ga. frame hinge couplings. The Guide bracket is Type 304 (18-8) stainless steel 18 ga. x 3" wide constant friction wall mounted guide bracket with positive stop for raised position.

This unit is designed to comply with: ANSI A117.1-1992, ADA The Americans With Disabilities Act-1991, C.S.A. APPROVED. Warranty is to the original purchaser only, that this unit is free from manufacturing defects in material or workmanship for a period of Three (3) yrs from date of installation. The Addition of grab bars or fixtures not properly installed by purchaser shall void this warranty.

Standard Accessories Installed

- 1 - 1 1/4" "L" Shaped Stainless Steel Grab Bar.
- 1 - White Padded Fold-up Seat.

Optional Accessories

- 1 - Curtain Rod: Stainless Steel, 18 ga. 1" O.D., with mounting flanges.
- 1 - Shower Curtain: Vinyl, 10 ga. flame resistant, white, chain-weighted.
- 1 - Pressure Balance Mixing Valve, lever handle, polished chrome finish.
- 1 - Hand Shower, Push Button on/off, Hand Held Shower with 84" hose, Vacuum breaker.

