



### SPECIFICATIONS

**LENGTH:** 47<sup>3</sup>/<sub>8</sub>" or 41<sup>3</sup>/<sub>8</sub>"

**WIDTH:** 41<sup>3</sup>/<sub>8</sub>" or 47<sup>3</sup>/<sub>8</sub>"

**HEIGHT:** 3"

**SHIPPING WEIGHT: 45 LBS\***  
\* Approximately

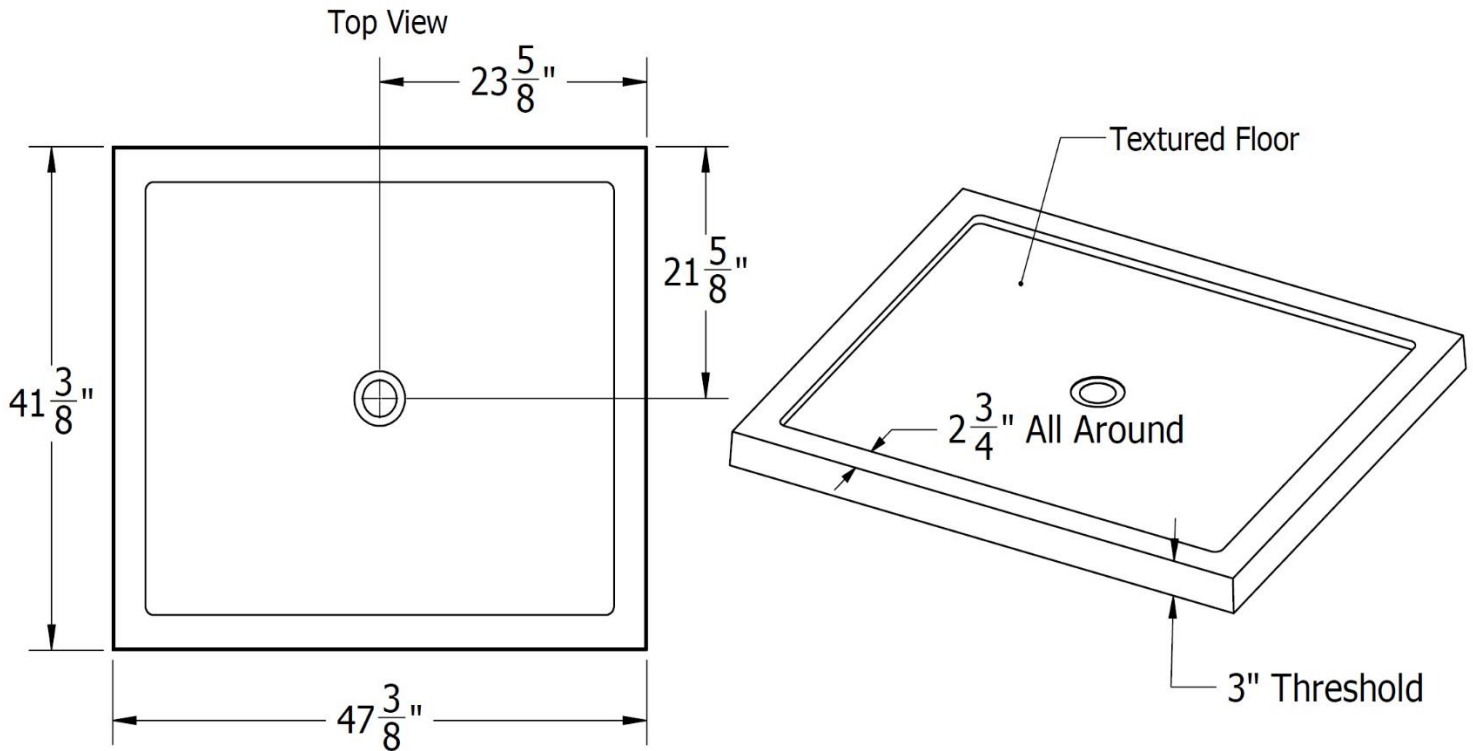
### Design Features

- Textured bottom
- Center drain
- Multiple configurations possible

## UNIVERSAL SERIES

### Product Specifications

- 100% acrylic with fiberglass & wood reinforcement
- Separate flange kit for universal installation
- Flange Kit included with the shower as per customer choice and should be mentioned at the time of purchase.
- Leveling feet included.
- End drain hole: 3"
- 5 Year limited manufacturer's warranty included.



**Note: ALL THE MEASUREMENTS ARE IN INCHES & HAVE TOLERANCE OF  $\pm \frac{1}{4}$ "**

### IMPORTANT

While we strive to provide accurate measurements for our customers, sometimes mistakes happen.

Our goal is to help things run smoothly from shipment to installation, so if you notice any errors in our spec sheets, please let us know.

Our products are handmade & hand finished so you can expect a tolerance of  $\pm \frac{1}{4}$ " on all measurements. We strongly recommend waiting until your ordered product is on-site before attempting any rough-in carpentry or plumbing.

If you want to verify any of our measurements, please feel free to call or email us.

Keeping with our policy of continuing product improvement, Venco Products Ltd. reserves the right to change product specifications without notice.



**VENCO.CA**

#### Venco Products Ltd. (Delta)

7584 Vantage Place, Delta, BC V4G 1A5

Tel: (604) 940-4960

sales@venco.ca

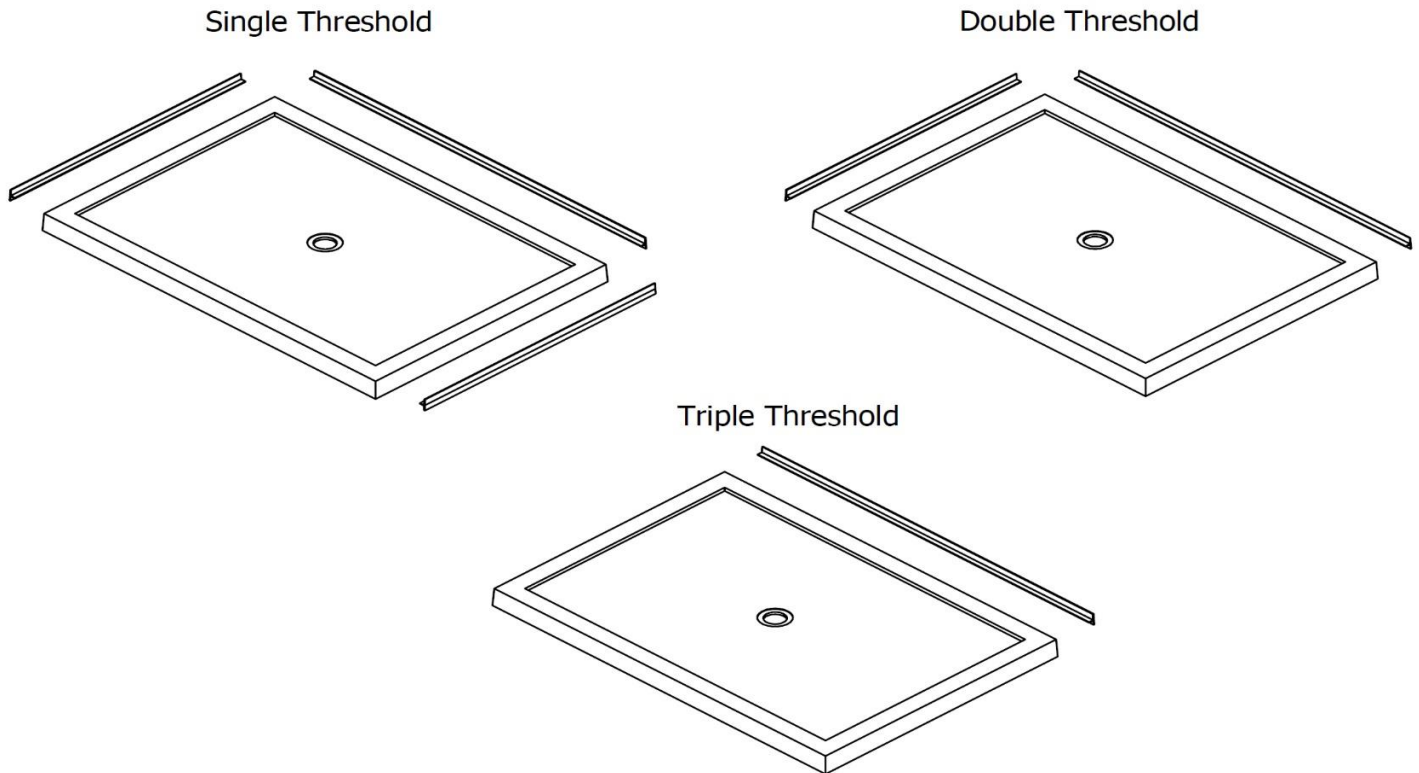
#### Venco Products Ltd. (Nanaimo)

1960 Cedar Road, Nanaimo, BC V9X 1W1

Tel: (250) 722-2522

islandsales@venco.ca

### Type of Installation:



### Tiling Flange Installation Instructions:

1. Take out the protective plastic film from shower base.
2. Cut the tiling flange of desired length & number of pieces according to required installation.
3. Drill pilot holes in flange & acrylic base before installing screws.
4. Install tiling flange on the outer wall of the base using 1" screws.
5. Ensure that silicone is beaded around flange area.

